

Service
Service
Service



Service Manual



TABLE OF CONTENTS

	Page
Technical specification	1-2
Service measurement setup.....	1-3
Service aids	1-4
Safety instructions□.....	2-1□□
Set Block diagram	3-1
Set Wiring diagram	4-1
Disassembly diagram	5-1
Circuit diagram.....	6-1
Layout diagram.....	6-2, 6-4
Mechanical Exploded view.....	7-1

© Copyright 2010 Philips Consumer Electronics B.V. Eindhoven, The Netherlands
All rights reserved. No part of this publication may be reproduced, stored in a retrieval system or transmitted, in any form or by any means, electronic, mechanical, photocopying, or otherwise without the prior permission of Philips.

Published by LX 1052 Service Audio

Printed in The Netherlands

Subject to modification

3141 785 35183



Version 1.3



PHILIPS

TECHNICAL SPECIFICATION

iPhone compatibility

- Compatible with: iPhone, iPhone 3G, iPhone 3GS

iPod compatibility

- Compatible with: iPod, iPod mini, iPod with color display, iPod 5th Generation, iPod classic, iPod nano 1st Generation, iPod nano 2nd Generation, iPod nano 3rd Generation, iPod touch, iPod nano 4th Generation, iPod touch 2nd Generation, iPod nano 5th Generation, iPod touch 2nd Gen 8/16/32GB

iPhone/iPod APP

- App name: Fidelio+
- Free download from App store
- Compatibility: Fidelio docking speaker, iPhone OS 3.0
- Playback: Album/track navigation, Playback controls
- Sound settings: DBB, DSC-Flat, Pop, Rock, Jazz, Classic
- Clock: Analog display, Digital display
- Alarm: Multiple alarms, Sleep timer, Wake up to music, Wake up to nature sounds, Wake up to photo
- Battery status: Speaker battery status

Connectivity

- Aux in

Audio Playback

- Cradle playback mode: Charging iPhone, Charging iPod

Sound

- Output power (RMS): 10W
- Sound Enhancement: Dynamic Bass Boost
- Sound System: Stereo
- Volume Control: Volume Control up/down

Loudspeakers

- Neodymium magnet system

Accessories

- Cables: 3.5mm AUX-in

Power

- Power supply: 100-240VAC, 50/60Hz, Battery
- Battery Type: Built-in battery
- Operating time on battery: 8 hr

Dimensions

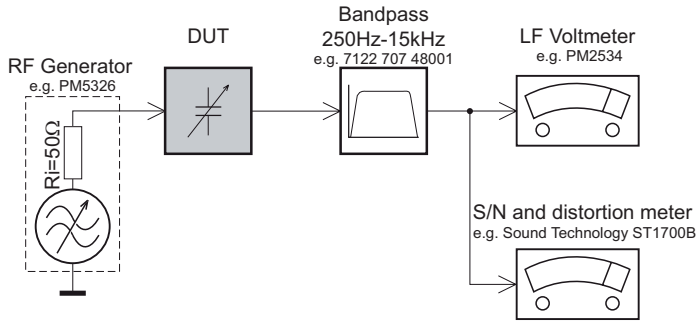
- Master carton weight: 2.3 kg
- Product dimensions (WxDxH): 310 x 110 x 40
- Weight incl. Packaging: 1.04 kg
- Master carton dimensions: 175 x 162 x 440 mm
- Master carton quantity: 2
- Weight: 0.76 kg

VERSION VARIATION

Type /Versions: Board in used: Service policy		DS7550								
		/93 (CHINA)	/12 (APAC)			/05 (APAC)		/77 (LATAM)	/37 (LATAM)	/78 (LATAM)
Main BOARD		C/M	C/M			C/M		C/M	C/M	C/M
Key BOARD		C	C			C		C	C	C
Ipod BOARD		C	C			C		C	C	C
Type /Versions: Features Feature difference		DS7550								
		/93	/12			/05		/77	/37	/78
RDS										
VOLTAGE SELECTOR										
ECO STANDBY - DARK										
* TIPS : C -- Component Lever Repair. M -- Module Lever Repair √ -- Used										

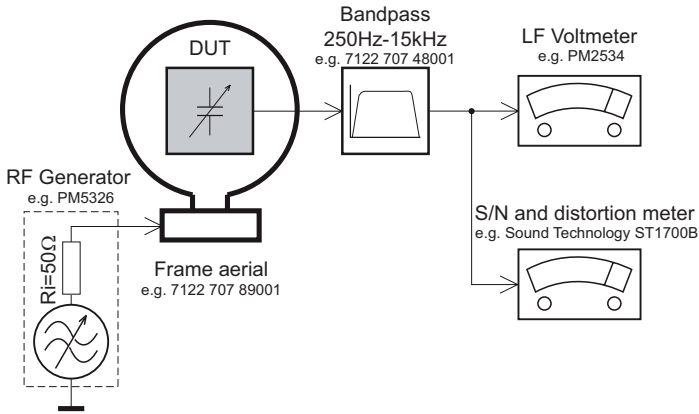
MEASUREMENT SETUP

Tuner FM



Use a bandpass filter to eliminate hum (50Hz, 100Hz) and disturbance from the pilotone (19kHz, 38kHz).

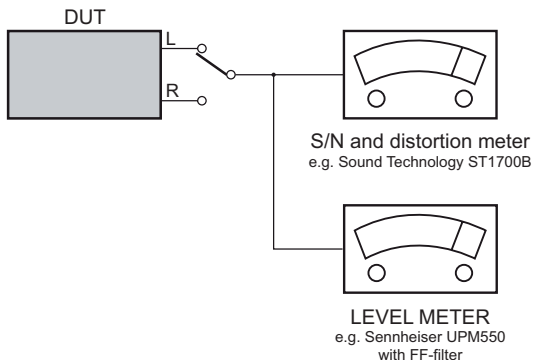
Tuner AM (MW,LW)



To avoid atmospheric interference all AM-measurements have to be carried out in a Faraday's cage. Use a bandpass filter (or at least a high pass filter with 250Hz) to eliminate hum (50Hz, 100Hz).

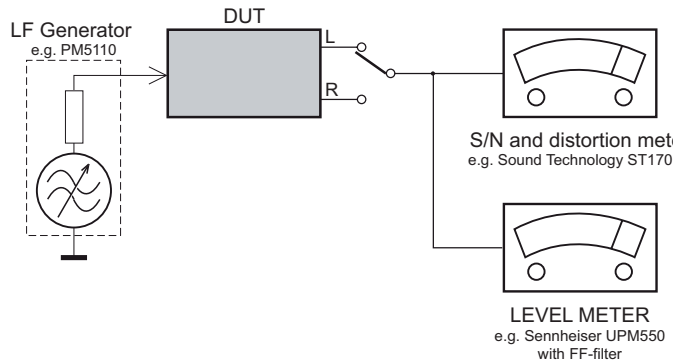
CD

Use Audio Signal Disc SBC429 4822 397 30184
(replaces test disc 3)



Recorder

Use Universal Test Cassette **Cr02** SBC419 4822 397 30069
or Universal Test Cassette **Fe** SBC420 4822 397 30071



SERVICE AIDS

GB WARNING

All ICs and many other semi-conductors are susceptible to electrostatic discharges (ESD). Careless handling during repair can reduce life drastically.

When repairing, make sure that you are connected with the same potential as the mass of the set via a wrist wrap with resistance. Keep components and tools also at this potential.

ESD



GB

Safety regulations require that the set be restored to its original condition and that parts which are identical with those specified, be used

Safety components are marked by the symbol Δ .

**CLASS 1
LASER PRODUCT**

INFORMATION ABOUT LEAD-FREE SOLDERING

Philips CE is producing lead-free sets from 1.1.2005 onwards.

IDENTIFICATION:

Regardless of special logo (not always indicated) one must treat all sets from 1 Jan 2005 onwards, according next rules:



- On our website www.atyourservice.ce.Philips.com you find more information to:
 - * BGA-de-/soldering (+ baking instructions)
 - * Heating-profiles of BGAs and other ICs used in Philips-sets
 - * Lead free

You will find this and more technical information within the "magazine", chapter "workshop news".

For additional questions please contact your local repair-helpdesk.

SERVICE INSTRUCTION

Safety regulations require that after a repair, the set must be returned in its original condition. Pay in particular attention to the following points:

- Route the wire trees correctly and fix them with the mounted cable clamps.
- Check the insulation of the AC Power lead for external damage.
- Check the strain relief of the AC Power cord for proper function.
- Check the electrical DC resistance between the AC Power Plug and the secondary side (only for sets which have a AC Power isolated power supply):
 1. Unplug the AC Power cord and connect a wire between the two pins of the AC Power plug.
 2. Set the AC Power switch to the "on" position (keep the AC Power cord unplugged!).
 3. Measure the resistance value between the pins of the AC Power plug and the metal shielding of the tuner or the aerial connection on the set. The reading should be larger than 4.5 Mohm (For U.S. it should be between 4.2 Mohm and 12 Mohm).
 4. Switch "off" the set, and remove the wire between the two pins of the AC Power plug.
- Check the cabinet for defects, to avoid touching of any inner parts by the customer.

2.1 SAFETY INSTRUCTIONS

Battery Handling Guideline

Since the battery is packed in soft package, to ensure its better performance, it's very important to carefully handle the battery

2.1.1 Soft Aluminium foil

The soft aluminum packing foil is very easily damaged by sharp edge parts such as Ni-tabs, pins and needles.

- Don't strike battery with any sharp edge parts
- Trim your nail or wear glove before taking battery
- Clean worktable to make sure no any sharp particle



2.1.2 Sealed edge

Sealing edge is very flimsy

- Don't bend or fold sealing edge



2.1.3 Folding edge

The folding edge is form in battery process and passed all hermetic test.

- Don't open or deform folding edge



2.1.4 Tabs

The battery tabs are not so stubborn especially for aluminum tab.

- Don't bend tab



2.1.5 Mechanical shock

- Don't Fall, hit, bend battery body



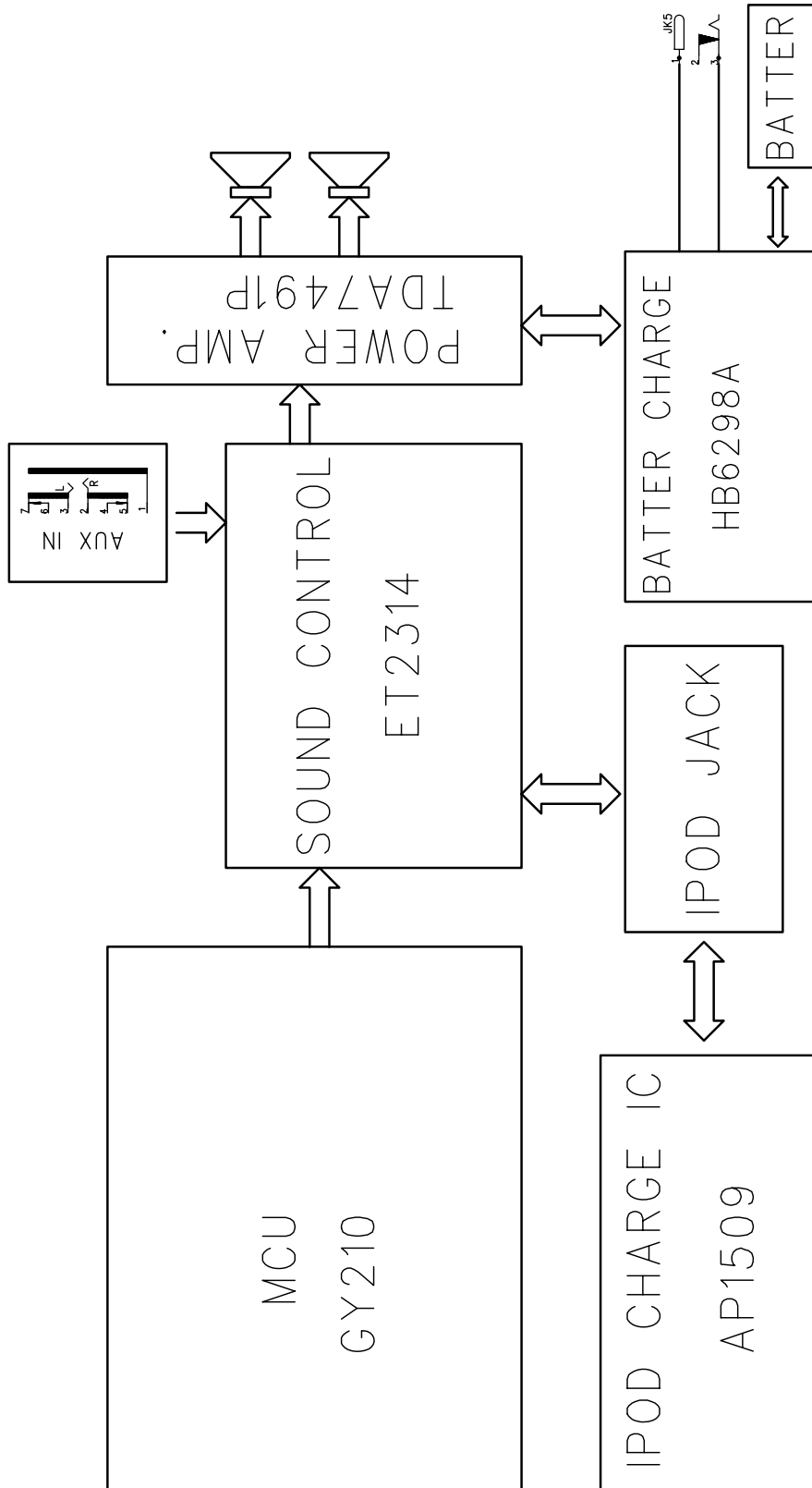
2.1.6 Short

Short terminals of battery is strictly prohibited, it may damage battery.

Caution

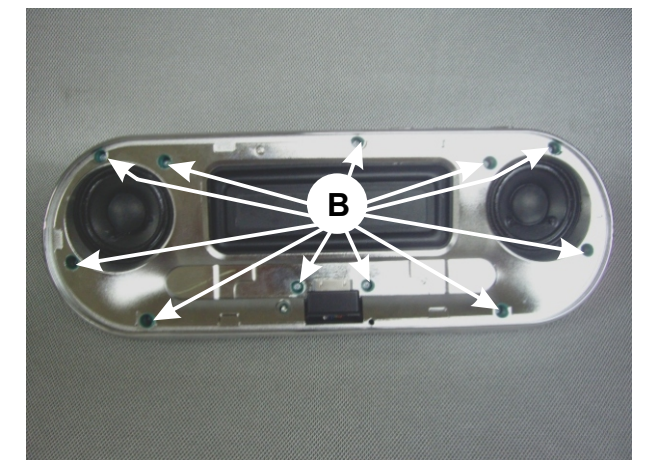
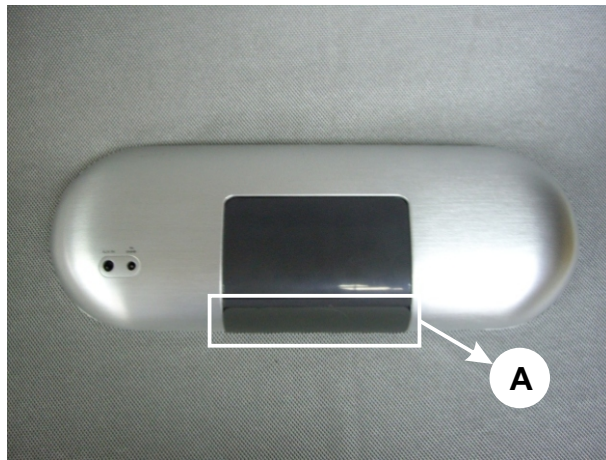
Danger of explosion if battery is incorrectly replaced. Replace only with the same or equivalent type.

BLOCK DIAGRAM

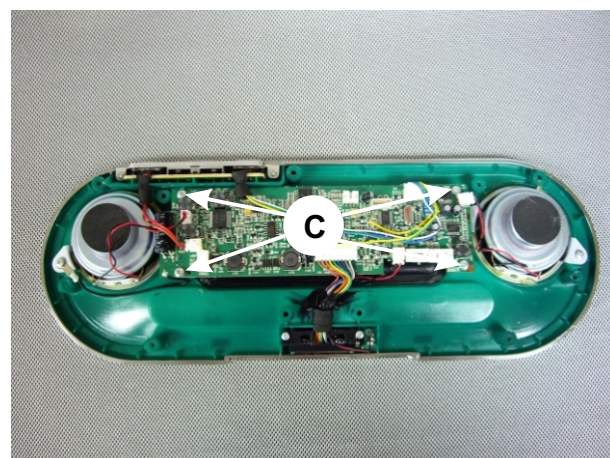
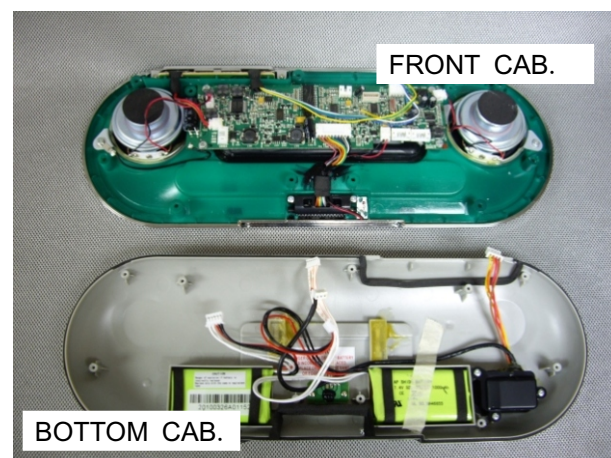


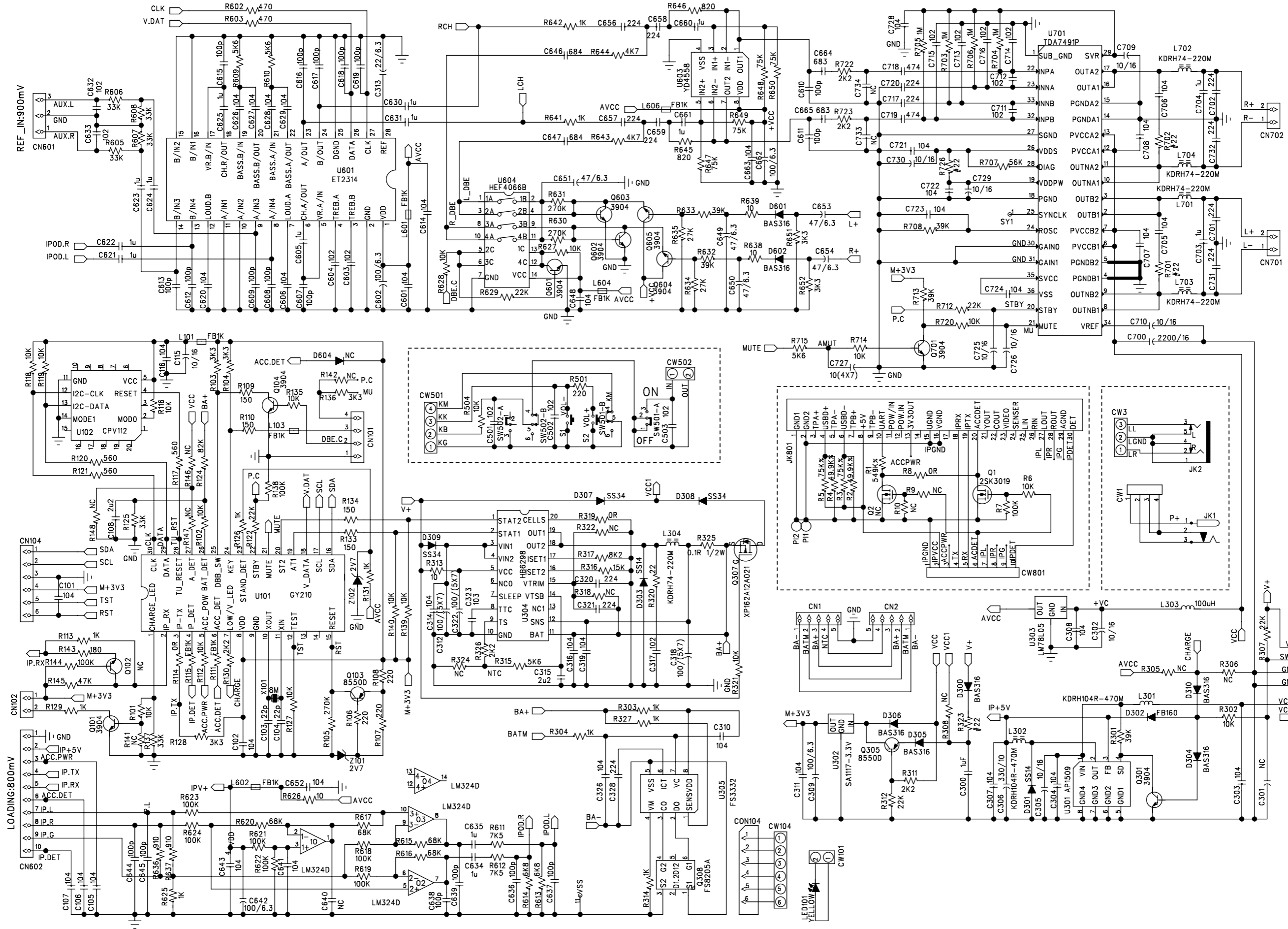
DISASSEMBLY DIAGRAM**Dismantling of the Bottom Cabinet**

- 1) Remove 1 rubber foot A as indicated.
- 2) Insert a small needle and push to forward, then the speaker grill can be released.
- 3) Remove 11 screws B as indicated to loosen the bottom cabinet.

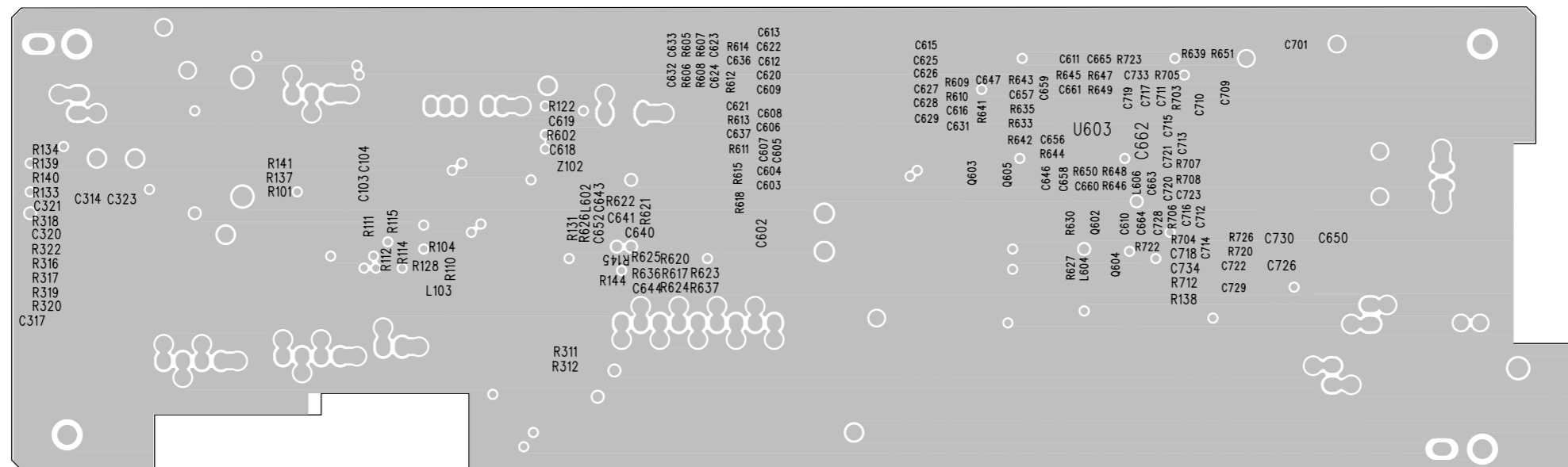
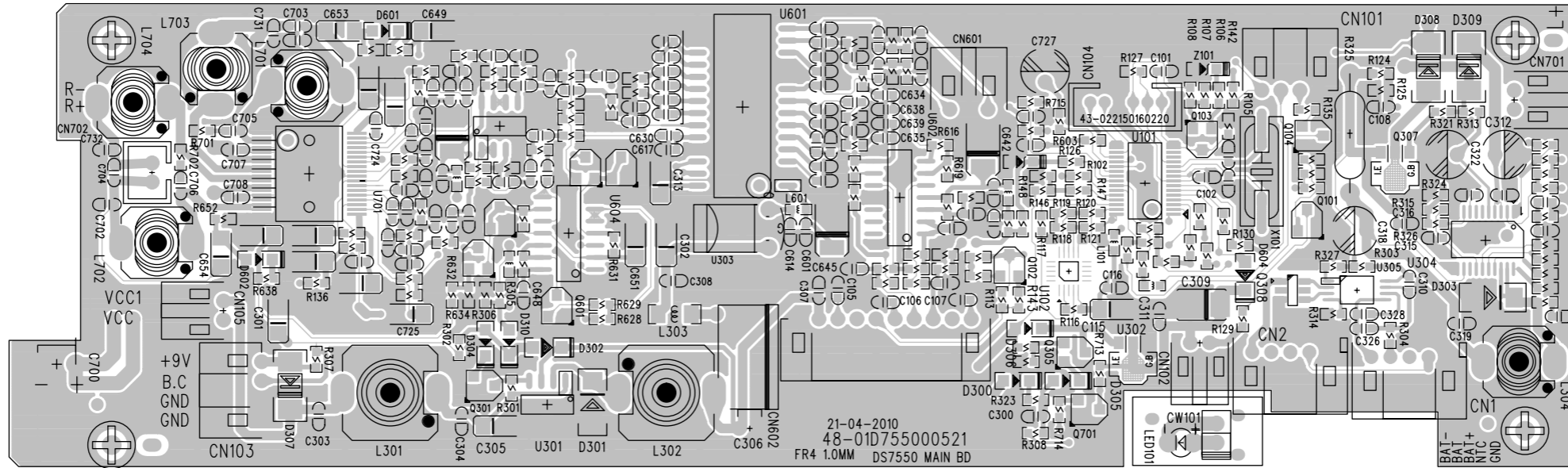
**Dismantling of the PCB Board.**

- 1) Remove 4 screws C as indicated to loosen the Main Board.





PCB LAYOUT - MAIN BOARD



PCB LAYOUT - KEY BOARD/iPod DOCKING BOARD

